



MEDIREX

Positive Patient ID
& Process Solutions

Thermal Labels for Direct
Thermal Printers

Thermal Labels

BARCODE READY

Medirex offers an extensive selection of high-performance thermal labels that cover different budgets and applications. Our thermal labels are compatible with all thermal printer manufacturers and allows for easy set-up and maintenance.

Economical

- Designed for on-demand usage
- Allows for custom on-site printing to accommodate the unique needs of specific wristbands identified by hospital departments

Premium Durability

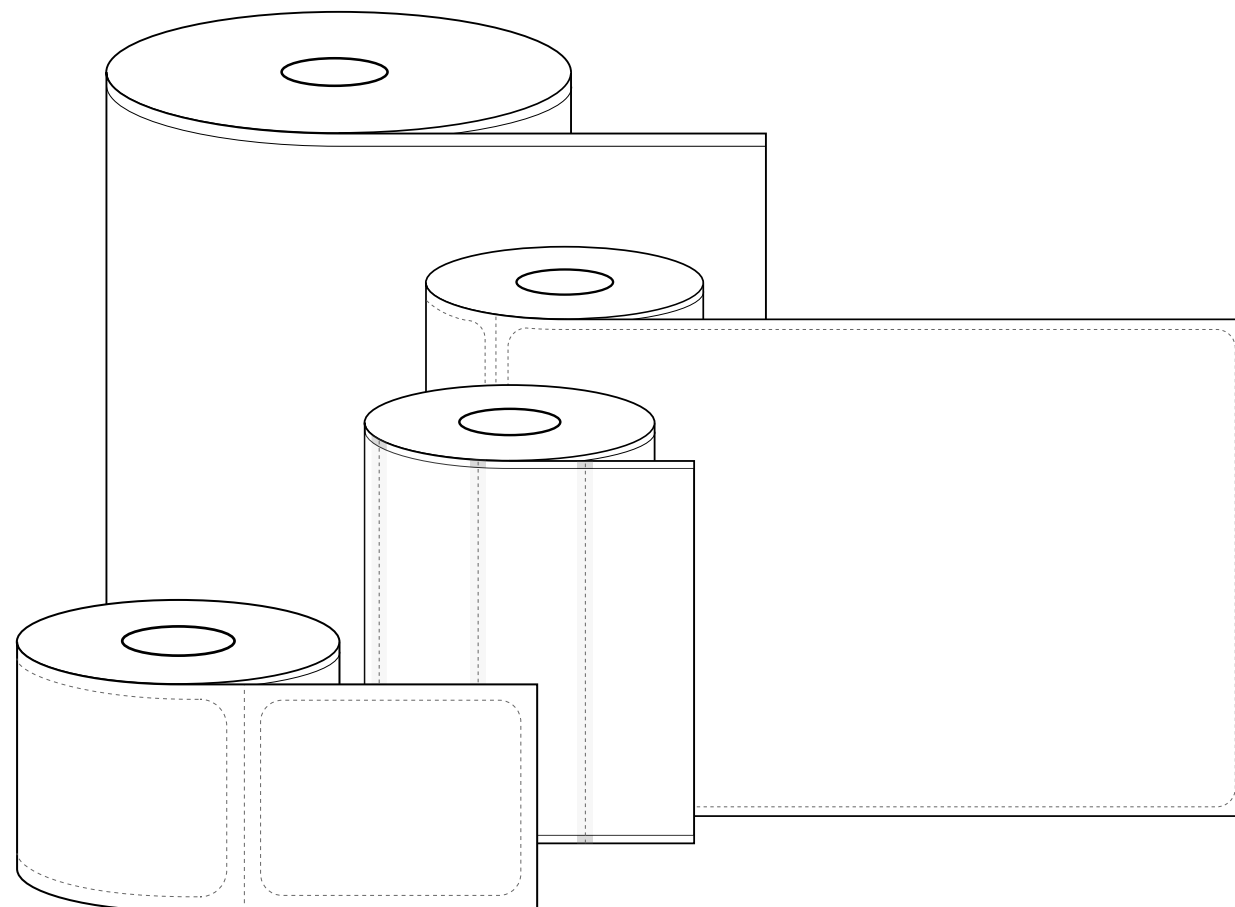
- Suited for all hospital environments; long-term stays and high acuity visits

Printer Compatibility

- Developed for thermal printers and includes tamper-evident marks with black sensor bar

Highly Versatile

- Available in a wide variety of label sizes, roll diameters, and core sizes for all hospital usage requirements



4041 Thermal Labels

BARCODE READY

The 4041 Thermal Labels provide high print quality and durability with low start-up costs for admission, laboratory, and pharmacy departments. Compatible with most thermal printer manufacturers, these thermal labels allow for easy set-up and maintenance.

Packaging String: 1CASE/25ROLLS/1100EACH

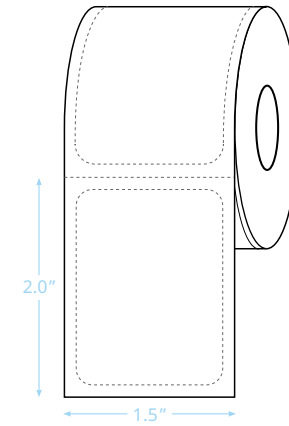
Item No. Colour

4041 Solid White

Dimensions (W x H)

Label: 38MM X 51MM [1.5" X 2.0"]

Core Size: 25MM [1"]



Sample of 4041

4043 Thermal Labels

BARCODE READY

The 4043 Thermal Labels provide high print quality and durability with low start-up costs. Compatible with most thermal printer manufacturers, these thermal labels are recommended for facilities without a full-service internal laboratory where frequent outbound shipments of specimens or samples take place. A direct thermal printer with a cutter and that can handle rolls wider than 4.0 inches is required.

Packaging String: 1CASE/4ROLLS

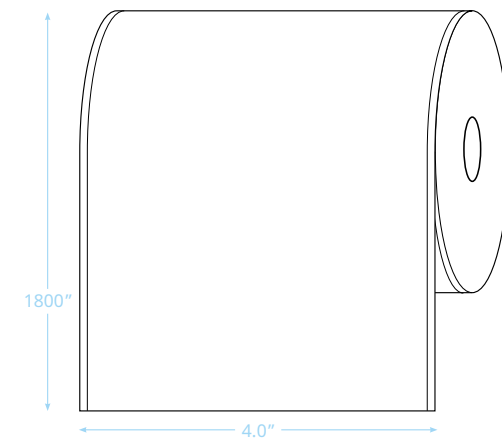
Item No. Colour

4043 Solid White

Dimensions (W x H)

Label (continuous): 102MM X 46M [4.0" X 1800"]

Core Size: 25MM [1"]



Sample of 4043

For more personalized solutions, please contact Medirex Sales (sales@medirex.com).

4044 Thermal Labels

BARCODE READY

The 4044 Thermal Labels provide high print quality and durability with low start-up costs. Compatible with most thermal printer manufacturers, these thermal labels are recommended for facilities without a full-service internal laboratory where frequent outbound shipments of specimens or samples take place. A direct thermal printer that can handle rolls wider than 4.0 inches is required.

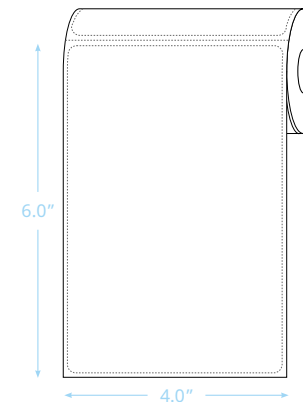
Packaging String: 1CASE/4ROLLS/300EACH

Item No. Colour

4044 Solid White

Dimensions (W x H)

Label: 102MM X 152MM [4.0" X 6.0"]
Core Size: 25MM [1"]



Sample of 4044

4060 Thermal Labels

BARCODE READY

The 4060 Thermal Labels provide high print quality and durability with low start-up costs for admission, laboratory, and pharmacy departments. Compatible with most thermal printer manufacturers, these thermal labels allow for easy set-up and maintenance.

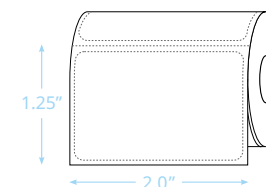
Packaging String: 1CASE/24ROLLS/2000EACH

Item No. Colour

4060 Solid White

Dimensions (W x H)

Label: 51MM X 32MM [2.0" X 1.25"]
Core Size: 25MM [1"]



Sample of 4060

4061 Thermal Labels

BARCODE READY

The 4061 Thermal Labels provide high print quality and durability with low start-up costs for admission, laboratory, and pharmacy departments. Compatible with most thermal printer manufacturers, these thermal labels allow for easy set-up and maintenance.

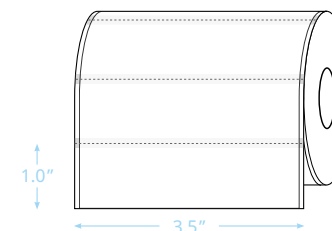
Packaging String: 1CASE/24ROLLS/3000EACH

Item No. Colour

4061 Solid White

Dimensions (W x H)

Label: 89MM X 25MM [3.5" X 1.0"]
Core Size: 25MM [1"]



Sample of 4061

For more personalized solutions, please contact Medirex Sales (sales@medirex.com).

Custom Products by request

At Medirex, we always get excited about the next challenge. We look forward to putting our years of experience, industry knowledge, and creativity to good use. Medirex is proud to develop personalized patient identification solutions that suit the unique needs of your hospital environment, are best-in-class, value-driven, and focused on safety.

For personalized solutions of wristband colours or label sizes and quantities, please reach out to our sales team:

✉ sales@medirex.com

☎ 416.363.9313
1.800.387.9848

For general inquiries please contact:

✉ info@medirex.com

Other ways to get in touch:

🌐 www.Medirex.com

📘 @medirexsystems

🌐 <https://ca.linkedin.com/company/medirex>

🐦 @medirexsys

